

Billion SG3000

Compact LCD Smart Power Meter Series

The Billion SG3000 Compact LCD Smart Power Meter Series has a number of functions for electricity monitoring and estimation. Through the LCD display, the users can easily monitor the power consumption without any extra system or appliance. By using the touch button, it is able to show electricity information of home electrical appliances including Total Cumulative Kilowatt Hours, Interval Cumulative Kilowatt Hours, Electricity Cost, and Elapsed Time, etc. The Billion SG3000 series is available in four models according to different types of connector in order to meet users' electrical environments.

The household users can measure the energy usage of an air conditioner by plugging it into the Billion SG3000-T1. They also can deploy the Billion SG3000-T3 or the Billion SG3000-T4 in a power cabinet in order to measure and monitor the electrical consumption throughout the entire home.

Comprehensive Measurement Capability

The Billion SG3000 Series supports comprehensive measurement functions including Active Power (W), Total Accumulated Electricity Consumption (kWh), Interval Electricity Consumption (kWh), Voltage (V), Current (A), Apparent Power (VA), Power Factor (PF), etc. It allows users to capture energy usage statistic for trend analysis and usage profiling, hence save money by shifting their usage pattern.

High Measurement Accuracy

The Billion SG3000 Series is capable of measuring very small power consumption up to 0.001kWh letting user capture every moment of energy loss. Its measurement accuracy is in the range of $\pm 0.5\%$ (At PF=1.0, at Rated Current).

Power Surge Protection (Available for Billion SG3000-T1 and Billion SG3000-T2)

With built-in real zero-crossing switch and soft start power surge protection features, the device can protect your electronic appliances from power surges in your electrical system.

Easy Installation

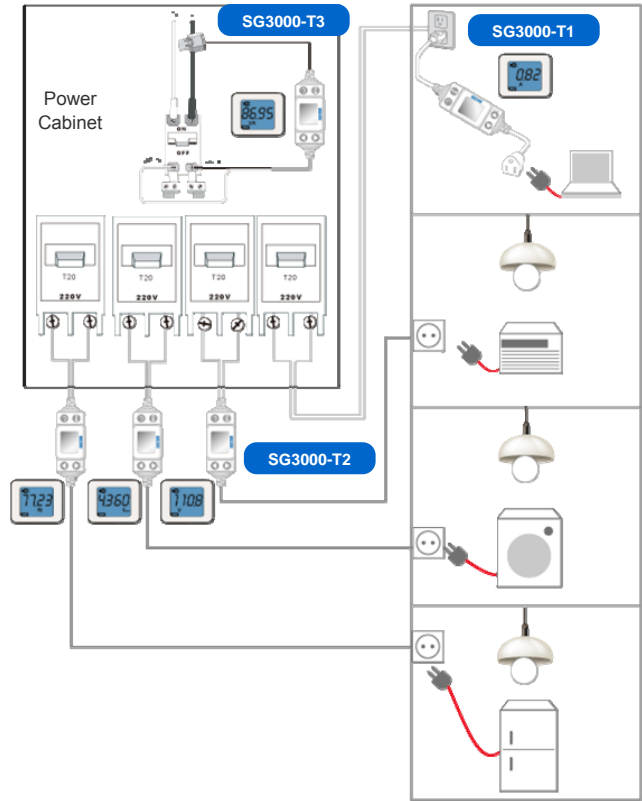
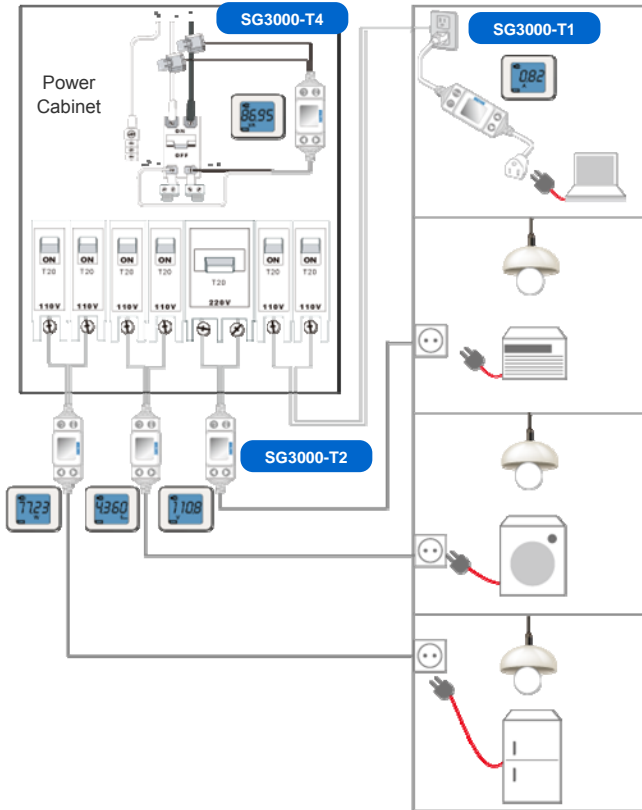
The Billion SG3000-T1 is a compact-sized smart power meter which can be used as a standalone unit. It can allow you to measure the energy usage of electronic appliances at everywhere in your home area network.

- Electricity usage data and other indicator information collection
- < 0.5% Wh accuracy
- Power surge protection
- Electricity cost calculation
- Compact size
- Four connector types: T1, T2, T3, and T4
- Target for:
 - Residential and office users
 - System integrator and planners

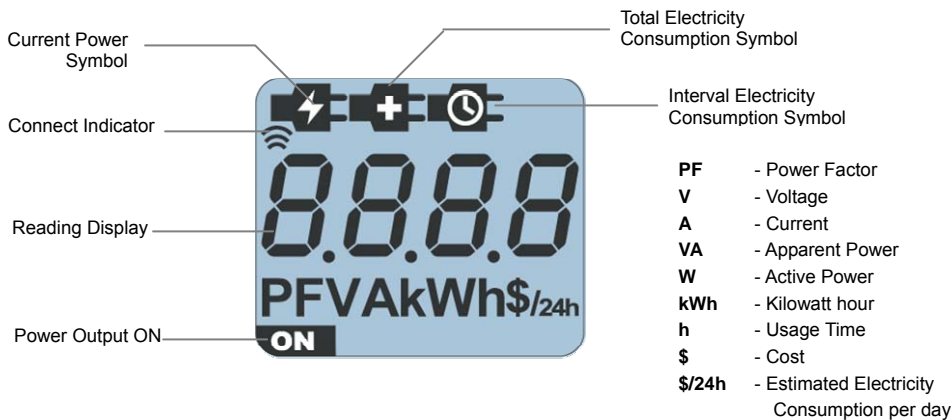
Application Diagram

► Single-phase 3-wire (e.g. USA and Taiwan)


► Single-phase 2-wire (e.g. Europe)



LCD Display



Technical Specifications

Product Model		Billion SG3000-T1	Billion SG3000-T2	Billion SG3000-T3	Billion SG3000-T4	
Connect Type						
		Left: Power Plug Right: Power Outlet	Left: 2 cores 16 AWG wire Right: 2 cores 16 AWG wire	Left: 2 cores 16 AWG wire Right: 1 x split-core CT (Single-phase 2-wire)	Left: 2 cores 16 AWG wire Right: 2 x split-core CT (Single-phase 3-wire)	
Rated Voltage		100 ~ 240V				
Rated Current		10A		50A (max100A)		
Frequency		50~60Hz				
Watt-hour Constant		kh 1.0		kh 7.2		
Accuracy		Watt-hour		1%		
		Others		2%		
Operating Panel		4 capacitive touch buttons				
Display		4 digits LCD backlit display				
Range	Wattage	0.01W-3000W	•	•		
		0.1W-30KW			•	•
	Power Factor	0-1.00	•	•	•	•
	Voltage	100.0V-240.0V	•	•	•	•
	Current	0.01A-10.00A	•	•		
		0.1A-100.0A			•	•
	Apparent power	5VA-3000VA	•	•		
		25VA-30KVA			•	•
	Total WH	0.001-9999kWh	•	•	•	•
	Interval WH	0.001-9999kWh	•	•	•	•
Power Surge Protection & Relay		•	•			
Power Consumption		Around 0.4W (Relay off) ~ 0.7W (Relay on)		Around 0.4W		
Operating Temperature		-20℃ ~ +40℃				
Safety Certification		UL (CAT III 300V)				
Dimensions(cm)		10.06(W) x 3.8(H) x 3.4(D) (excluding cords) 126(W) x 3.5(H) x 3.4(D) (including cords)		10.06(W) x 3.8(H) x 3.4(D) (excluding cords) 68(W) x 3.5(H) x 3.4(D) (including cords)		
Weight		230g	140g	270g	325g	

*Note: All the specifications are subject to change without prior notice.

V.06292010